



Finally, The Answer to the Age-Old Question ...
How to Get Your Wife to Fall in Love With
Your Boy-Toys?

It's Simple. Make Sure They Look Good in Her
Living Room!

How Can You Get What You
Want And Give Your Wife
What She Wants at the
Same Time?

Simply **Wow** Her,
With Your Very Own
"Seducer in a Box."

Caution: Read the following pages only if you're ready To
experience the **ULTIMATE** Sizzle in your marriage.

Since time immemorial, man has wanted his toys, gadgets
And WIDE screen TVs.

The only problem with that is ... his wife does not want that Big, Ugly thing in
the middle of her living room.

It doesn't matter if it's nailed on her wall or sitting,
Free-Form in a room. It's just Ugly. And she hates it.

So Your Choices Are:

- Buy one anyway and suffer her wrath.
- Don't buy the really **BIG** one that you salivate
over and then suffer in pouty silence.

This, my friends, is a dilemma only another man
can understand.

That's why Otto designed the One and **ONLY** "Seducer in a Box" ...
the X-Series Dellegho.

What Will it do for You?

- Like magic, your ho-hum life will be transformed by hi-gloss.
- You will no longer have to take out the garbage.
- You will no longer have to mow the lawn.
- You will no longer have to wash the dishes.

How Can an 80-inch Projector Screen do ALL this?

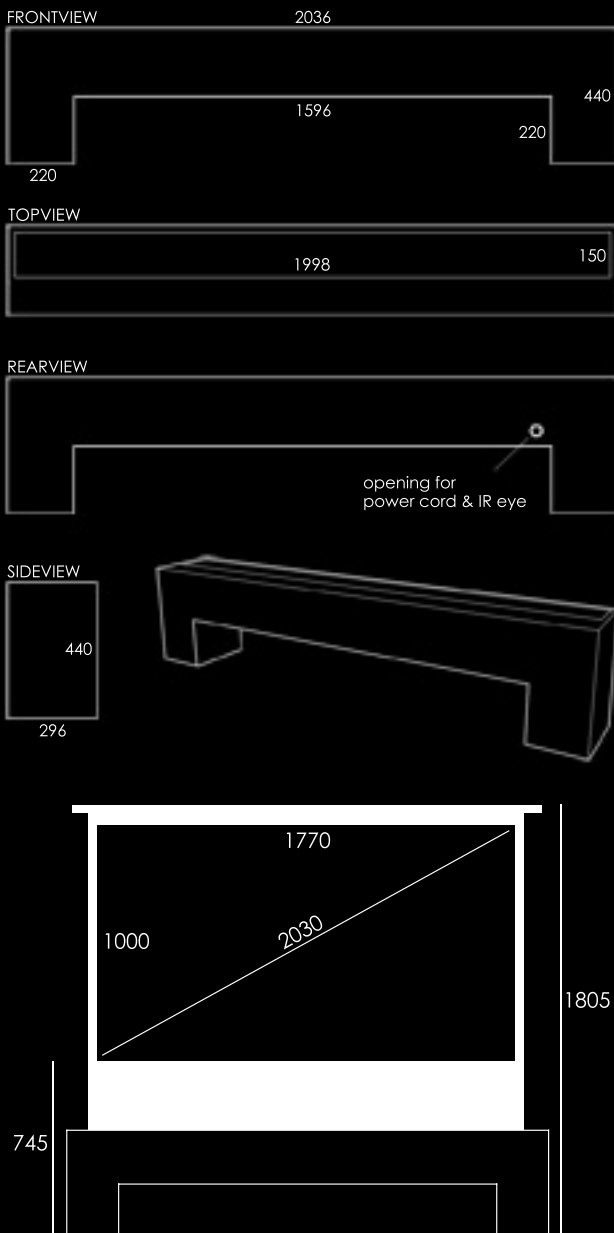
- It is cleverly housed in a hi-gloss, sleek & sexy cabinet when not in use. She'll love it.
- Ready for the Best 'Home Cinema Experience' of Your life? At the press of a button, the gigantic screen ascends skyward. Then stops.
- She gasps, narrowly containing her adoration for your thoughtfulness. You're her hero.
- The 'Event' is more than just a Cinematic Marvel. It's your own Sizzling Hollywood love story unfolding. You'll love it.
- In the privacy of your own Home Theatre, you have now joined the Elite group of "The Seducers." *(Join this men's only club.)



*The sleek &
sexy X-Series
Dellegho in
hi-gloss
black.
Wait till you
touch it!*



DIMENSIONS (units: mm)



Join The Seducers Club ... It's Free!

Join our club and get a T-Shirt. No strings attached. None, nada, null, zilch.

Whether you buy a **Seducer in a Box** now ... or later ... we still want you to join our club.

Choose the way that suits you best:

- Go to www.beamax.com/join and leave your name, address, phone, email and your size (S, M, L, XL).
- Complete the attached postage-paid card and just mail it back. Simple.

The Man Behind the Screen – Otto Tromm.

The designer and builder of these **handmade and hand painted**, unique pieces has been manufacturing projection screens for 5 years in Belgium.

Responding to the cries of men all over the world, he decided to provide the solution. And so was born the latest in a series of home theatre projection screens...

The X-Series Dellegno – The Seducer in a Box.

Many hours go into the construction, painting and polishing to perfection, using only compressed air – never a brush!

The result? A hi-gloss, unique, sexy black piece of furniture that offers a high ROI for a lifetime.

Actually, you can order it in any color you choose to match her décor. You may even want two... one for the theatre room and one for the boudoir!

It's Your choice.

Manly Specifics on the X-Series Dellegno ... The Seducer in a Box.

- Works with 220V or 110V (World-wide)
- Sturdy construction, weighing 70 kg (150 lbs)
- Dimensions 7' X 2' X 1' X 4"
- 80" Diagonal (the average Plasma or LCD TV stops at 50")
- Smooth matte finish
- Some heavy lifting is required, but after that, it's plug and play
- Guarantee – 2 years on construction and mechanism.
- Use with DVD, Nintendo, PS3 or Xbox.
- Numerous control options, including infrared, radio frequency or a 12V trigger.
- Ships in a crate and is well-packed.
- Hi-gloss black pieces are shipped immediately.
- Custom colors require 4 – 6 weeks for delivery.

Indorsements of the X-Series Dellegno ... The Seducer in a Box:

- Named #1 hot home cinema product, by AVNews, a European trade magazine.
- German magazine, Video, made it a centerpiece at a recent IFA trade show.
- UK TV show, The Invincibles, will use the X-Series. (Show hosts use a custom-made, purple, satin finish.)
- The first piece took 6-8 weeks to make. So, the guy cancelled his order. But unable to find the same quality 'anywhere' in the world, he reordered. We gave him free delivery to compensate for the wait.

How to Order Your Very Own Seducer in a Box?

You'll find contact information on the back of this brochure. Just call or email them. Done.



Delleegno
Bleekveldstraat 7B
3900 Overpelt
Belgium

Tel. +32 (0)11 40 30 90
Fax +32 (0)11 40 38 92

www.delleegno.com
info@delleegno.com



www.beamax.com

